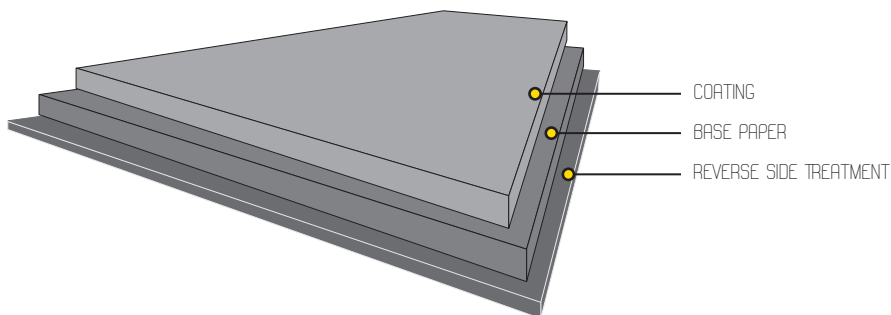


One-side coated woodfree flexible packaging paper



ISSUED: 01.2017
CANCELS:

TECHNICAL SPECIFICATION

PROPERTY / UNIT	TOLERANCE			STANDARDS	
GRAMMAGE, G/M ²	±4%	70	75	80	ISO 536
THICKNESS, M	±5	64	68	73	ISO 534
BRIGHTNESS D65/10, % CS	±3	97	97	97	ISO 2470-2
TENSILE STRENGTH, DRY, HN/M, MD	±13	5.6	5.9	6.2	ISO 1924-3
TENSILE STRENGTH, WET, HN/M, MD	±0.3	0.6	0.6	0.6	ISO 3781
SURFACE SMOOTHNESS, PPS 10, M, CS	±0.3	1.00	1.00	1.00	ISO 8791-4
GLOSS 75°, % CS	±3	62	62	62	ISO 8254-1
Cobb, reverse side, g/m²	±6	25	25	25	ISO 535
OPACITY, %	±3	87	88	89	ISO 2471

OBA-CONTAINING FOR HIGH BRIGHTNESS.

MAIN APPLICATION:
PARTIAL WET-STRENGTH LABELLING APPLICATIONS FOR WATER AND BEVERAGE
BOTTLES (PET) AND WRAP-AROUND LABELLING.

ALL PROPERTIES ACCORDING TO IMATRA MILL MEASUREMENTS.

TEST CLIMATE 23°C/50% RH (ACCORDING TO ISO 187). IN ORDER TO VERIFY REEL/PALLET AVERAGE SHALL BE BASED ON 5 SINGLE MEASUREMENTS RANDOMLY SAMPLED WITHIN THE REEL/PALLET. THESE AVERAGES WILL BE FOR AT LEAST 19 OF 20 REELS/PALLETS WITHIN THE **specification limits**.

CERTIFICATES

QUALITY MANAGEMENT ISO 9001
ENVIRONMENTAL MANAGEMENT ISO 14001
PRODUCT SAFETY ISO 22000
HEALTH AND SAFETY OHSAS 18001
ENERGY MANAGEMENT ISO 50001

Forest certification and Chain-of-Custody, FSC® (LOGO LICENCE NUMBER FSC-C105192), PEFC® (LOGO LICENCE NUMBER PEFC/02-31-71)

PAPERBOARD IS RECYCLABLE 

LumiLabel™
by Stora Enso

АО "Балтийская целлюлоза"
197136, Санкт-Петербург
ул. Подковырова, 16/65 лит. А пом. 5Н
Тел.: +7(812)320-28-70
www.baltcell.ru

