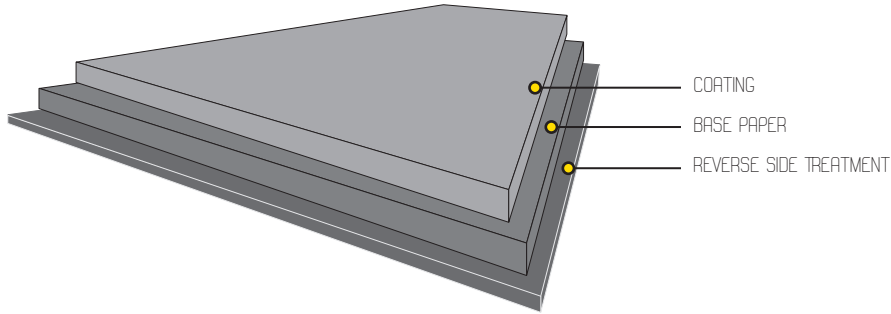


One-side coated woodfree flexible packaging paper



ISSUED: 10.2016
CANCELS: 06.2015

TECHNICAL SPECIFICATION

| PROPERTY / UNIT | TOLERANCE | STANDARDS | | | | | | | |
|-----------------------------------|-----------|-----------|------|------|------|------|------|------|------------|
| | | 70 | 80 | 90 | 97 | 110 | 120 | 140 | ISO 536 |
| GRAMMAGE, G/M ² | ±4% | 70 | 80 | 90 | 97 | 110 | 120 | 140 | ISO 536 |
| THICKNESS, M | ±5 | 64 | 73 | 83 | 89 | 101 | 110 | 130 | ISO 534 |
| BRIGHTNESS D65/10, % CS | ±3 | 97 | 97 | 97 | 97 | 97 | 97 | 97 | ISO 2470:2 |
| TENSILE STRENGTH, HN/M, MD | ±13 | 5.6 | 6.2 | 6.8 | 7.2 | 7.3 | 7.3 | 7.4 | ISO 1924:3 |
| TEARING RESISTANCE, MN, CD | ±100 | 450 | 500 | 600 | 650 | 700 | 850 | 1000 | ISO 1974 |
| SURFACE SMOOTHNESS, PPS 10, M, CS | ±0.3 | 1.00 | 1.00 | 1.00 | 1.00 | 1.00 | 1.00 | 1.00 | ISO 8791:4 |
| GLOSS 75°, % CS | ±3 | 62 | 62 | 62 | 62 | 62 | 62 | 62 | ISO 8254:1 |
| OPACITY, % | ±3 | 87 | 89 | 91 | 92 | 94 | 95 | 96 | ISO 2471 |

OBA-CONTAINING FOR HIGH BRIGHTNESS.

MAIN APPLICATION:

- VARIOUS FOOD PACKAGING APPLICATIONS FOR DIRECT FOOD CONTACT
- WRAPPERS
- NON-WET STRENGTH LABEL APPLICATIONS
- BAGS AND POUCHES
- extrusion or adhesive laminated to foil or film

ALL PROPERTIES ACCORDING TO IMATRA MILL MEASUREMENTS.

TEST CLIMATE 23°C/50% RH (ACCORDING TO ISO 187). IN ORDER TO VERIFY REEL/PALLET AVERAGE SHALL BE BASED ON 5 SINGLE MEASUREMENTS RANDOMLY SAMPLED WITHIN THE REEL/PALLET. THESE AVERAGES WILL BE FOR AT LEAST 19 OF 20 REELS/PALLETS WITHIN THE **specification limits**.

CERTIFICATES

QUALITY MANAGEMENT ISO 9001
ENVIRONMENTAL MANAGEMENT ISO 14001
PRODUCT SAFETY ISO 22000
HEALTH AND SAFETY OHSAS 18001
ENERGY MANAGEMENT ISO 50001

Forest certification and Chain-of-Custody, FSC® (LOGO LICENCE NUMBER FSC-C105192), PEFC™ (LOGO LICENCE NUMBER PEFC/02-31-71)

PAPERBOARD IS RECYCLABLE



LumiLabel™
by Stora Enso

АО "Балтийская целлюлоза"
197136, Санкт-Петербург
ул. Подковырова, 16/65 лит. А пом. 5Н
Тел.: +7(812)320-28-70
www.baltcell.ru

